

Micro-PET Hot-Rod Phantom

Measure Spatial resolution of small animal micro-PET and SPECT systems.

The QRM-MicroPET-HotRod Phantom is a perfect tool to evaluate spatial resolution of PET and SPECT systems designed for small animal imaging.

The phantom is designed for a FOV smaller than 40 mm and is made completely of PMMA. The phantom consists of a fillable cylinder for the isotope.

Two spacers can be used to align the resolution insert in the center of the phantom. The spacers can be exchanged by two full body PMMA inserts in order to avoid an excessively high signal of the isotope inside the phantom

The top of the phantom houses a bubble reservoir to avoid air bubbles inside the scan area if placed in horizontal position in the scanner.

Specifications

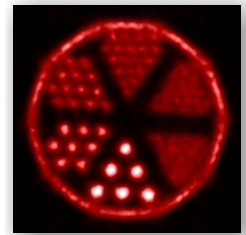
phantom

Base material PMMA
 Diameter 35 mm
 Height 70 mm

HotRod insert

Diameter 29 mm
 Height 12 mm
 Hole pattern ... 0.6, 0.8, 1.0, 1.2, 1.5, 2.0 mm
 Center to center distance 2 x diameter

Ø	Ø	qy	ctc dist.
0.6 mm	0.024 in.	43	1.2 mm
0.8 mm	0.031 in.	26	1.6 mm
1.0 mm	0.039 in.	19	2.0 mm
1.2 mm	0.047 in.	13	2.4 mm
1.5 mm	0.059 in.	8	3.0 mm
2.0 mm	0.079 in.	6	4.0 mm

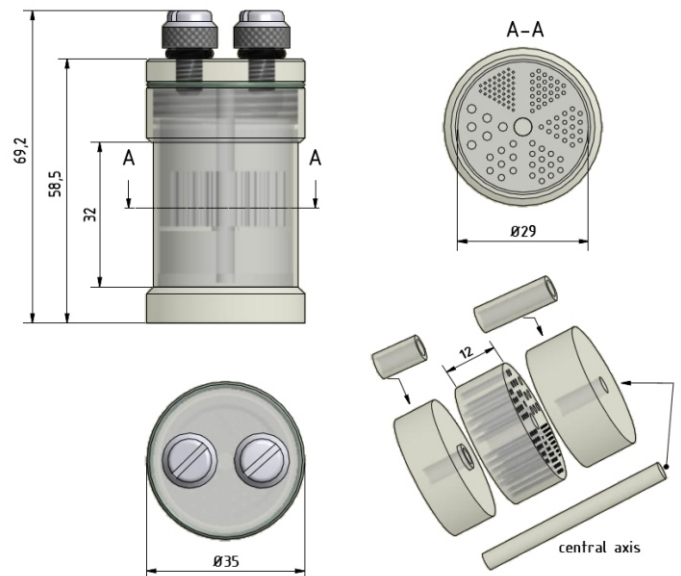


Courtesy of Philips Research

MicroPET-HotRod Phantom



parts included



Dimensions of the phantom (in mm)