

Quality Control in Scanners

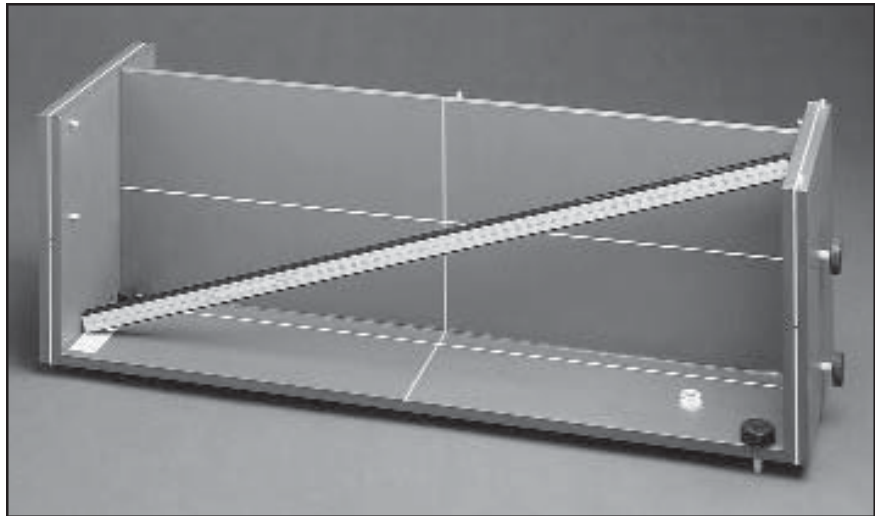
RMI 100A100

Visit us on the Internet at: [www.gammex.com](http://www.gammex.com)



GAMMEX RMI®

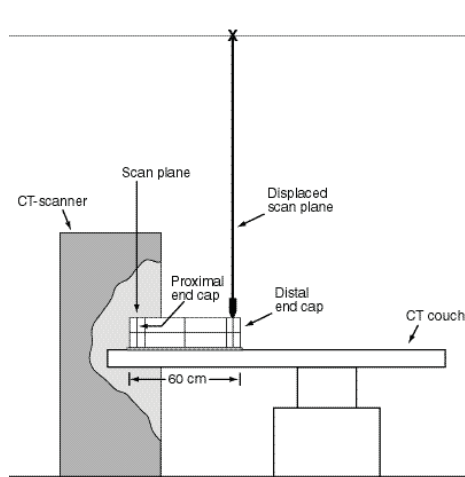
# CT-Sim Calibration Phantom



The Gammex RMI CT-Sim Calibration Phantom 100A100 is used in conjunction with the Gammex CT-Sim laser system in the set-up and continuing QA of the lasers. The 100A100 features multiple recessed alignment marks for performing horizontal, vertical and sagittal laser alignment. It can be used for aligning both movable and fixed lasers in a CT suite. The 100A100 is designed with alignment holes, a built-in bubble level and adjustable feet for leveling the unit on any table. These features make The CT-Sim Calibration Phantom quick and easy to set up. Set-up is achieved using the CT scanner for absolute positioning accuracy. Once the phantom is set up, not only can the external Gammex lasers be tested for accuracy, but the CT unit laser accuracy and table movement can be determined.

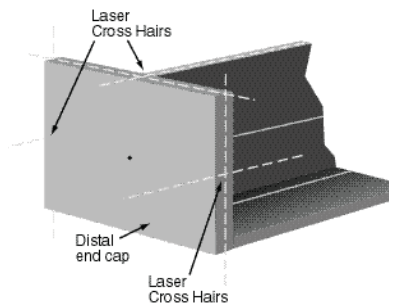
## Specifications

Material ..... Precision machined PVC  
Dimensions ..... 23 x 7.875 x 7.875 in. (58.4 x 20 x 20cm)  
Weight ..... 11.75 lbs. (5.3 kg)



Side view of a properly positioned phantom.

*A phantom that is correctly positioned on the table will look like this when scanned. This also verifies the accuracy of the CT scanner's internal laser.*



End view of CT-Sim phantom.



深圳为尔康科技有限公司 联系人：曾祥满 手机：13632925349

QQ：274798107 电话：0755-28896837 地址：深圳市龙岗区沙平北路111号608A

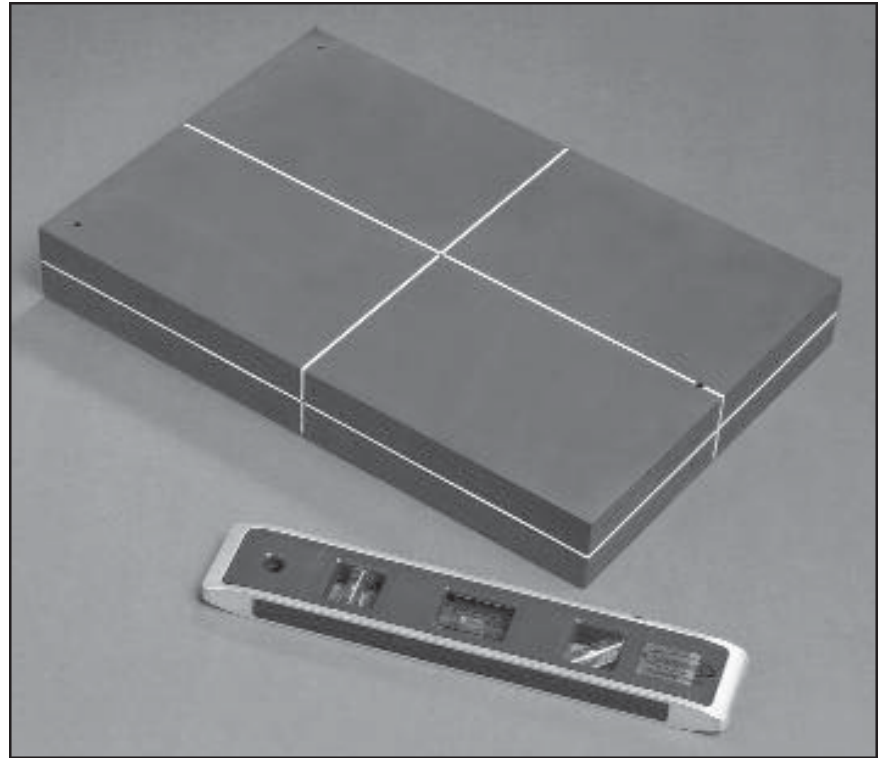
网址：www.medicalQC.com 邮箱：szchina1718@163.com



Quality Control in  
Laser Alignment

**RMI 440**

## Couch/Laser Alignment Tool



Our Laser Alignment Tool can be used with all stationary laser systems to assure proper beam alignment. Daily checks can be performed quickly and easily by a single person. The tool has alignment holes for use with CT or MRI systems and white recessed lines that “light up” when hit by a laser. The lines are easily visible from across the room. A precision level is included to assure the accuracy of the tool’s placement.

### **Specifications**

Material ..... Precision machined PVC  
Dimensions ..... 12.11 x 8.11 x 1.5 in. (30.5 x 20.3 x 3.8cm)

Visit us on the  
Internet at:

[www.gammex.com](http://www.gammex.com)



深圳为尔康科技有限公司 联系人：曾祥满 手机：13632925349

QQ：274798107 电话：0755-28896837 地址：深圳市龙岗区沙平北路111号608A

网址：www.medicalQC.com 邮箱：szchina1718@163.com



GAMMEX RMI®